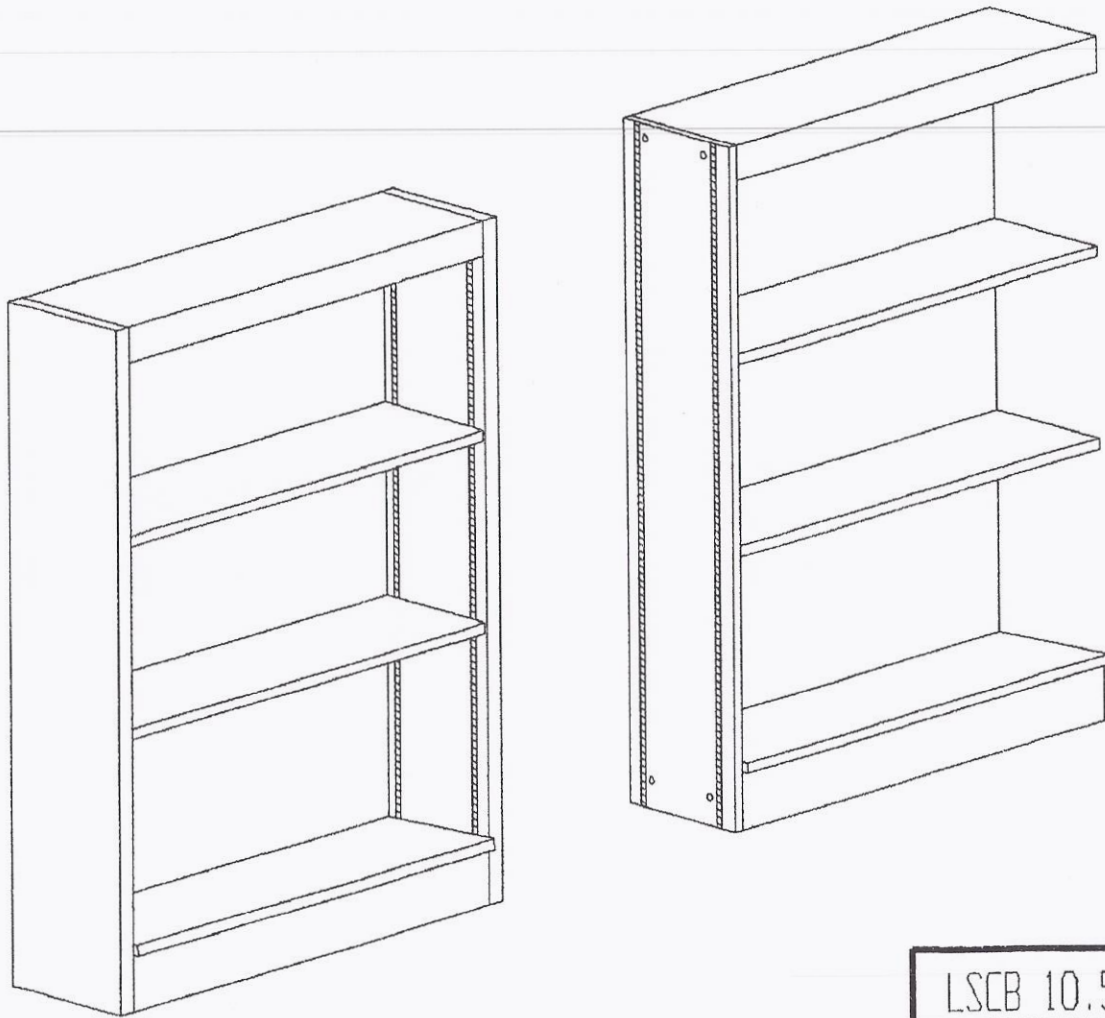
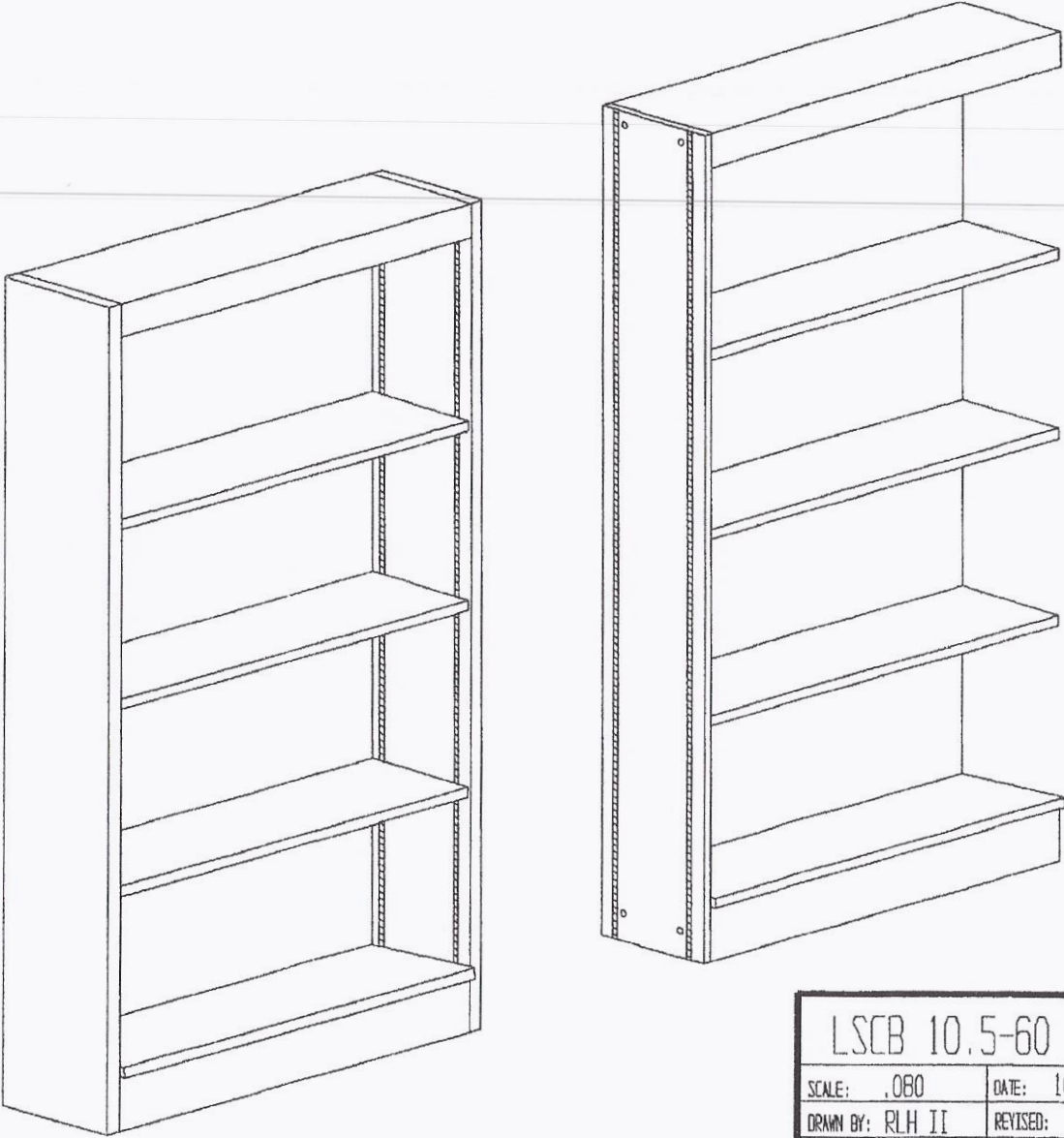




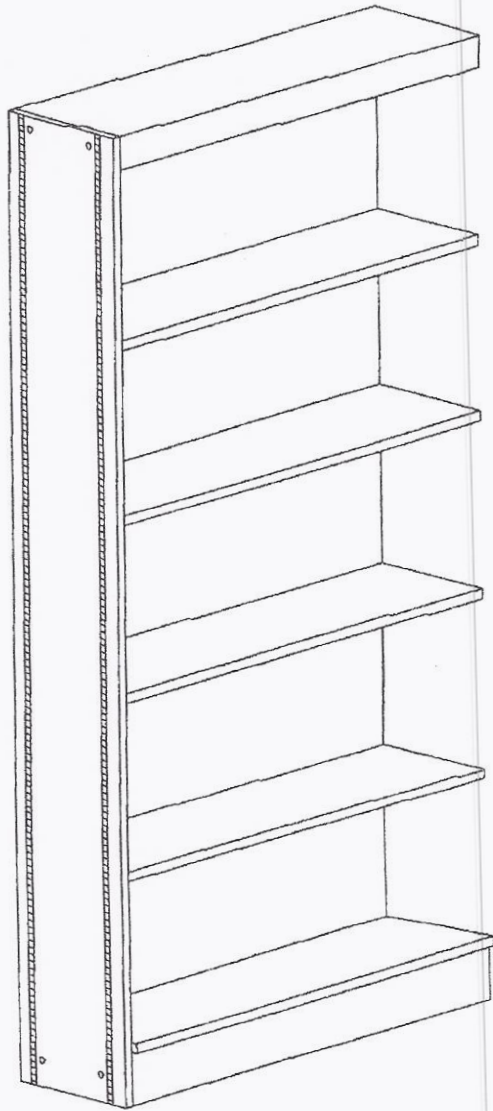
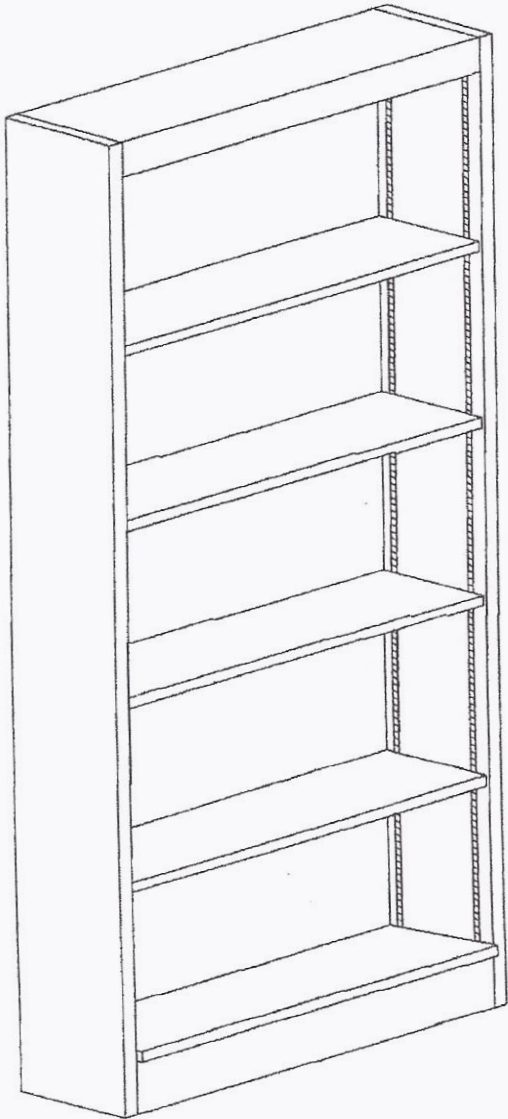
LSCB 10.5-42 1st & Add Unit		
SCALE: .080	DATE: 10-5-15	REVISED:
DRAWN BY: RLH II	REVISED:	REVISED:
W.C. HELLER & CO.		201 W. VABASH AVE. MONTPELIER, OH 43543
FOR: display		DRAWING NO. LSCB-A1142



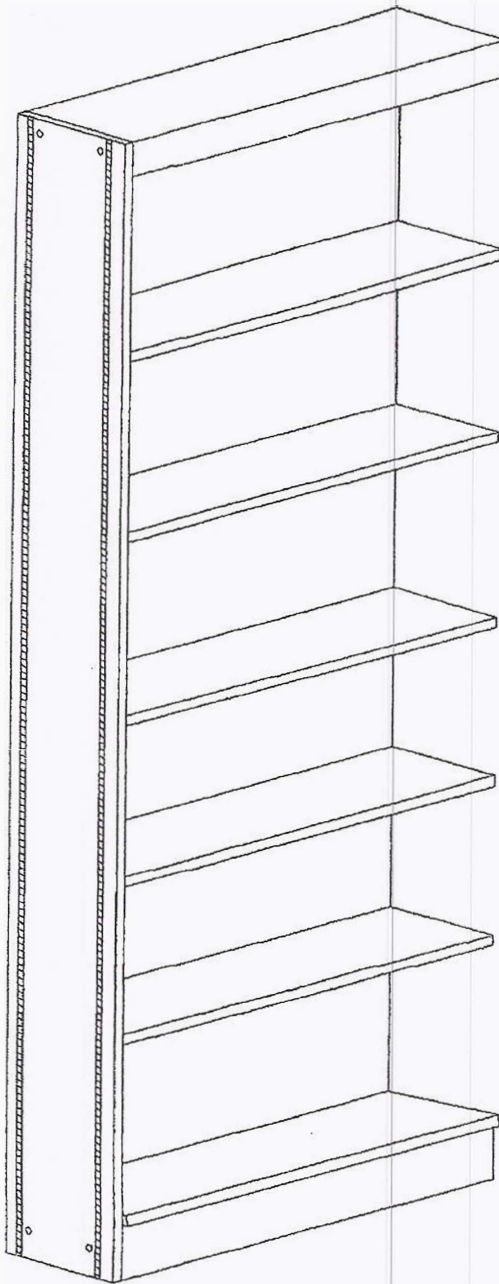
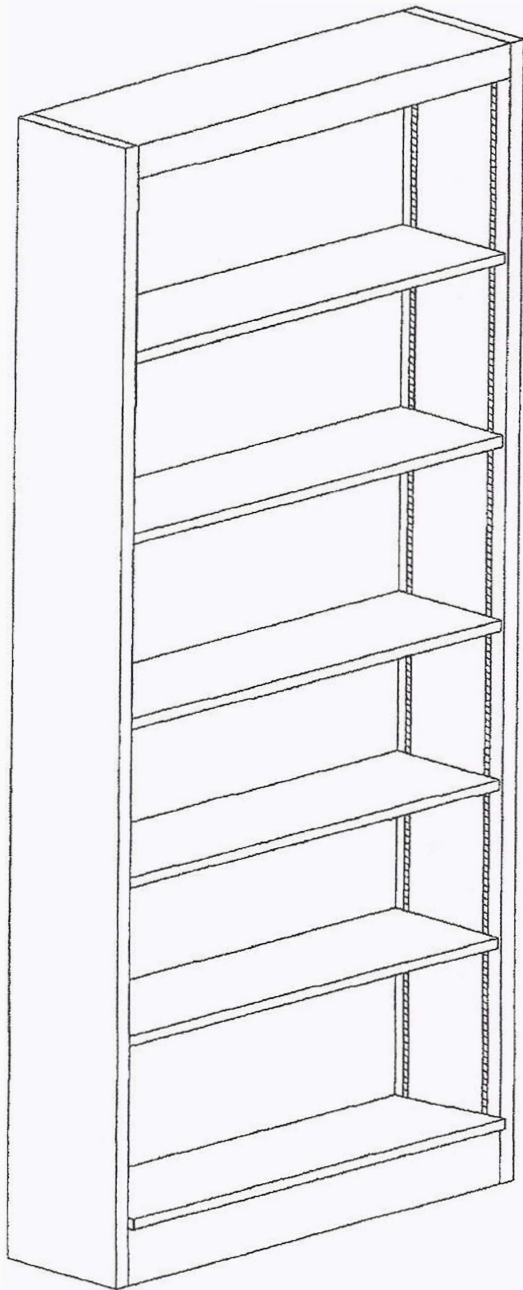
LSCB 10.5-48 1st & Add Unit		
SCALE: .080	DATE: 10-9-15	REVISED:
DRAWN BY: RLH II	REVISED:	REVISED:
W.C. HELLER & CO.		201 W. VABASH AVE. MONTPELIER, OH 43543
FOR: display		DRAWING NO. LSCB-A1148



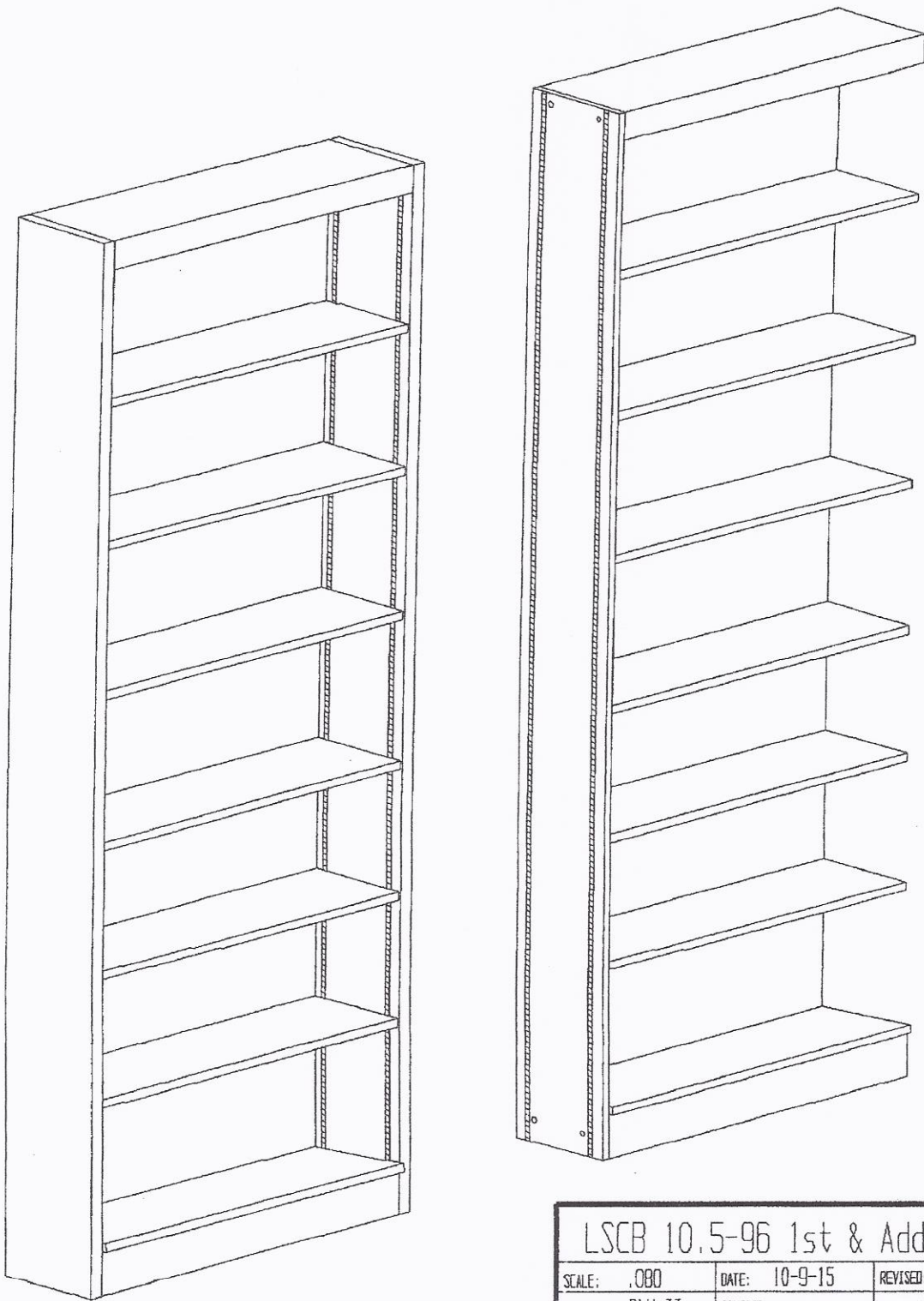
LSCB 10.5-60 1st & Add Unit		
SCALE: .060	DATE: 10-9-15	REVISED:
DRAWN BY: RLH II	REVISED:	REVISED:
W.C. HELLER & CO.		201 W. WABASH AVE. MONTPELIER, OH 43543
FOR: display		DRAWING NO. LSCB-A1160



LSCB 10.5-72 1st & Add Unit		
SCALE: .080	DATE: 10-9-15	REVISED:
DRAWN BY: RLH II	REVISED:	REVISED:
W.C. HELLER & CO.		201 W. WABASH AVE. MONTPELIER, OH 43543
FOR: display		DRAWING NO. LSCB-A1172



LSCB 10.5-82 1st & Add Unit		
SCALE: .080	DATE: 10-9-15	REVISED:
DRAWN BY: RLH II	REVISED:	REVISED:
W.C. HELLER & CO.		201 W. WABASH AVE. MONTPELIER, OH 43543
FOR: display		DRAWING NO. LSCB-A1182



LSCB 10.5-96 1st & Add Unit		
SCALE: .080	DATE: 10-9-15	REVISED:
DRAWN BY: RLH II	REVISED:	REVISED:
W.C. HELLER & CO.		201 W. WABASH AVE. MONTPELIER, OH 43543
FOR: display		DRAWING NO. LSCB-A1196